

Technical sheet

MLT 733-105

Telehandlers



Capacities	metric
Max. capacity	3300 kg
Max. lifting height	6.90 m
Max. outreach	3.90 m
Reach at max. height	0.90 m
Breakout force with bucket	5770 daN
Weight and dimensions	
Unladen weight (with forks)	7015 kg
1 - Ground clearance	0.44 m
2 - Overall length to carriage	4.85 m / 4.78 m *
3 - Wheelbase	2.81 m
4 - Overall width of cab	0.95 m
5 - Overall width	2.39 m
6 - Overall height	2.38 m
Crowd angle	13 °
Dump angle	134 °
7 - External turning radius (over tyres)	3.92 m
Performances	
Lifting	6.75 s
Lowering	5.65 s
Extension	6.50 s
Retraction	3.90 s
Crowd	3.15 s
Dump	2.55 s
Engine	
Brand	Deutz
Environmental norm	Stage IV / Tier 4 Final
Model	TCD 3.6 l
Number of cylinders - Cubic capacity	4 - 3621 cm ³
Power	101 hp / 74.50 kW
Max. torque	410 Nm at 1600 rpm
Laden drawbar pull	7380 daN
Reversible fan	Optional
Cooling system	4 radiators (water + intercooler + hydraulic oil + transmission oil)
Transmission	
Type	Torque Converter with Powershuttle gearbox
Number of gears (forward/reverse)	4/4
Max. travel speed (may vary according to applicable regulations)	32 km/h
Differential lock	Limited slip differential on front axle
Parking brake	Manual parking brake
Service brake	Hydraulic oil immersed multi-disc braking on front & rear axles
Hydraulics	
Hydraulic pump type	Gear pump
Hydraulic flow - Pressure	104 l/min - 250 bar
Tank capacities	
Hydraulic oil	135 l
Fuel	120 l
Diesel Exhaust Fluid (AdBlue® type)	10 l

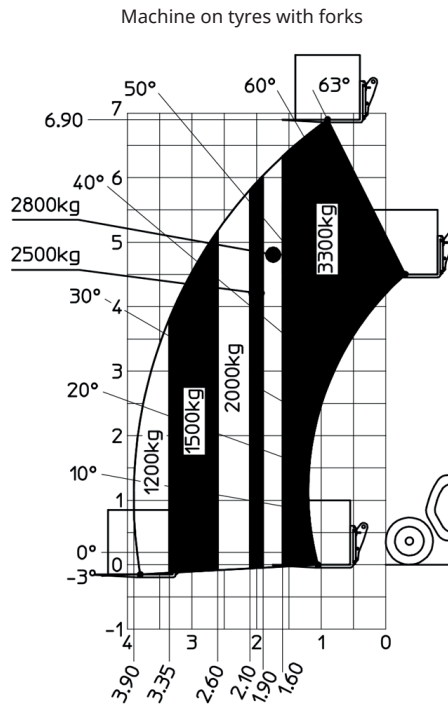
Noise & vibration	
Noise at driving position (LpA)	73 dB
Environmental noise (LwA)	105 dB
Vibration to whole hand / arm	<2.5 m/s ²
Miscellaneous	
Safety	EN 15000 Norm "FOPS - ROPS Level 2" cab.

Tyre options

Optional tires	Overall machine height	Overall machine width
Trelleborg - 460/70 R24 159A8 TH400	2.37 m	2.40 m
Trelleborg - 500/70 R24 164A8 TH400	2.39 m	2.43 m
Michelin - 500/70 R24 164A8 XMCL	2.39 m	2.44 m
Michelin - 460/70 R24 159A8 Bibload	2.37 m	2.40 m
Michelin - 500/70 R24 164A8 Bibload	2.39 m	2.44 m
Nokian - 460/65 R24 159A8 Tri Steel	2.36 m	2.37 m
Michelin - 15.5 R25 XHA	2.37 m	2.33 m
Michelin - 460/70 R24 159A8 XMCL	2.37 m	2.40 m

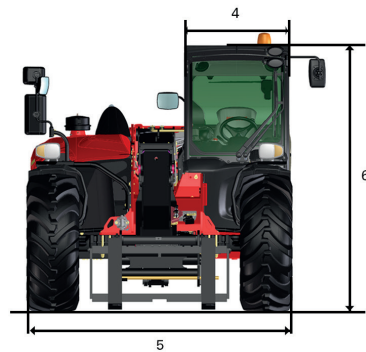
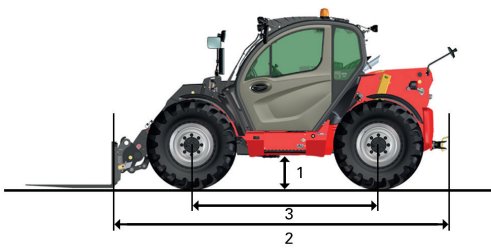
Load chart

Created on October 7, 2016 6:58 AM



Rough terrain load chart (EN 1459 B)

Dimensional drawing





Siège Social
430 rue de l'Aubinière - 44150 Ancenis Cedex - France
Tel: +33(0)2 40 09 10 11 - Fax: +33 (0)2 40 09 10 97
www.manitou.com



This brochure describes versions and configuration options for Manitou products which may be fitted with different equipment. The equipment described in this brochure may be standard, optional or not available depending on version. Manitou reserves the right to change the specifications shown and described at any time and without prior warning. The manufacturer is not liable for the specifications given. For more information, contact your Manitou dealer. Non-contractual document. Product descriptions may differ from actual products. List of specifications is not comprehensive. The logos and visual identity of the company are the property of Manitou and may not be used without authorisation. All rights reserved. The photos and diagrams contained in this brochure are provided for information only.

MANITOU BF SA - Limited company with board of directors - Share capital: 39,547,824 euros - 857 802 508 RCS Nantes